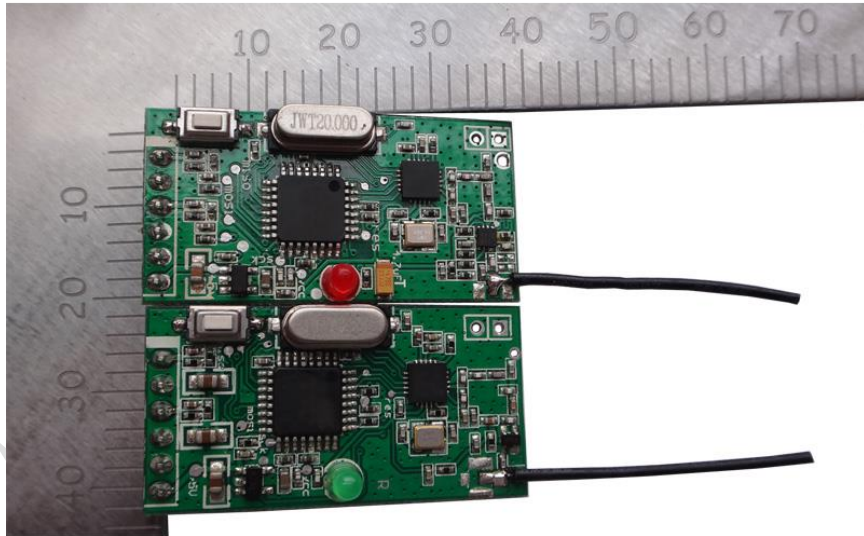


XL-01M Digital Audio Module Manual

汇睿微通 



Introduction:

XL-01M wireless digital audio transceiver module is a high-fidelity, anti-jamming digital wireless audio transceiver, the product is simple and convenient, direct audio input audio output, the same as the use of cable, with good sound quality, volume Small, and so on.

module function

- transceiver frequency range 2400 --- 2483M
- Number of channels: 16
- Channel spacing: 5M
- Data processing, safe and reliable
- can be more than a hair
- can work in parallel groups
- Open to the maximum distance of 150 meters (external SMA antenna)
- easy to use, fool-style operation.

Applications

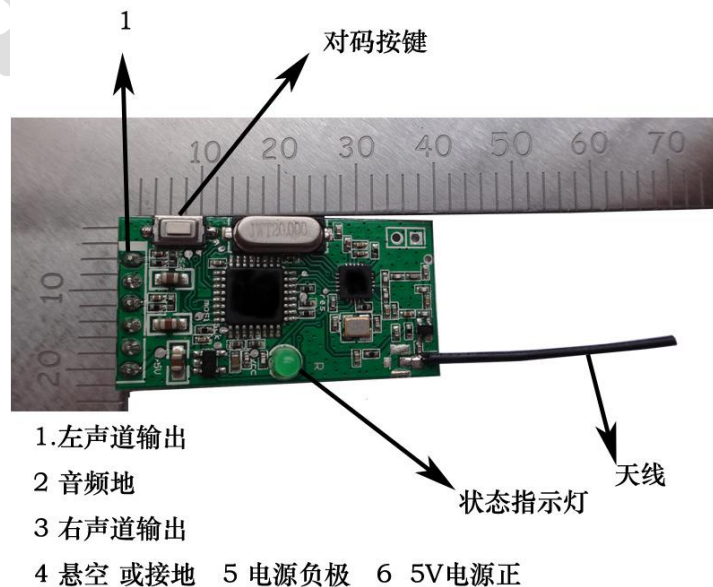
- CD, DVD player or other device
- Wireless home surround speakers
- Wireless monitor
- Wireless amplifiers
- Wireless microphone
- ordinary speaker
- Repeater learning machine

ELECTRICAL CHARACTERISTICS

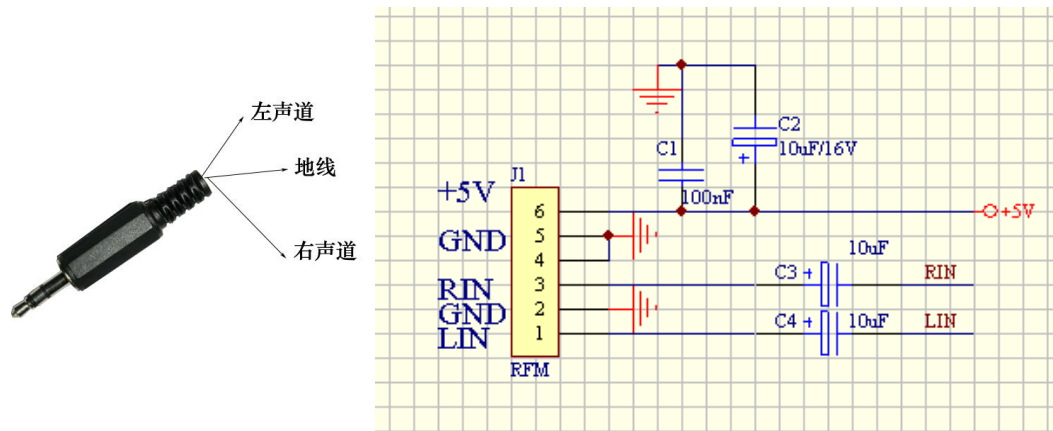
0	Description	Transmitter Module	Receiver Module
1	Operating voltage	3.6-5VDC(Recommend 5VDC)	3.6-5VDC(Recommend 5VDC)
2	Operating current	Max 110mA	Max 40mA
3	Frequency Range	20-20KHZ	20-20KHZ
4	Operating Temperature	-15~60°C	-15~60°C
5	Sampling rate	44.1K	44.1K
6	Signal to noise ratio(SNR)	95dBC	95dBC
7	Total Harmonic Distortion(THD)	<1%	<1%
8	Frequency Range	2400-2480MHZ	2400-2480MHZ
9	Channel Spacing	5MHZ	5MHZ
10	Modulation Type	GFSK	GFSK
11	Baud Rate	2MBps	2MBps
12	Frequency stability	+/-80KHZ	+/-80KHZ
13	Working channel	16	16
14	Channel selection	Key one-way loop	Automatic Search Selection

use

1. Transmitter module
2. Receive module



3. Wiring



Module audio input and output ports, external 10uF capacitor, and then direct wire or solder stereo plug wiring. Module 5V DC power supply, can also be used directly to supply three AA batteries, the case of an external 5V switching power supply, the module port to add the decoupling capacitor 100uF the best positive power supply and then a series of inductors.

4 Instructions for use

1 connected to connect the relevant figure, the transmitter input analog audio signal, the receiver can receive the appropriate signal.

2 in order to ensure that more than one group can work at the same time, the module can do on the code grouping and manual frequency hopping, before pressing the transceiver

The module on the button to give the two modules power, the two modules on the LED flashes 2 two pairs of code that success, if multiple receive and a launch of the code can be more than one fat.

3 in the course of the process if there is interference caused by poor audio characteristics, you can press the transmitter button, the transmitter red light flash, the receiving end of the red light is also a corresponding flash, the two modules automatically jump to a clean free channel, The module has a total of 16 working channels

The use of considerations

Static electricity

Wireless module for electrostatic sensitive devices, please pay attention to static electricity protection, especially in the dry winter as far as possible without touching the module on the device, so as to avoid unnecessary damage.

Power supply

It is recommended to use a ripple-less DC power supply for the wireless module. The recommended operating voltage is 5V. The grounding of the module should be stable and reliable, and the ground wire should be as close to the power source as possible. Such as the use of switching power supply, we must strengthen the decoupling, so as to avoid switching power supply ripple and spikes affect the module's operating characteristics. In the power string on a 10uH inductor, inductor plus 100uF capacitor grounded at both ends

Testing

2.4G frequency is relatively high, a variety of materials have a certain impact, the general impact of plastic is not, if there is a metal object will be produced, the use of the antenna, the antenna under the antenna and do not walk around or place the device, More obvious impact, it is recommended to use SMA feeders to external SMA antenna.

Google Translate for Business:Translator ToolkitWebsite TranslatorGlobal Market Finder