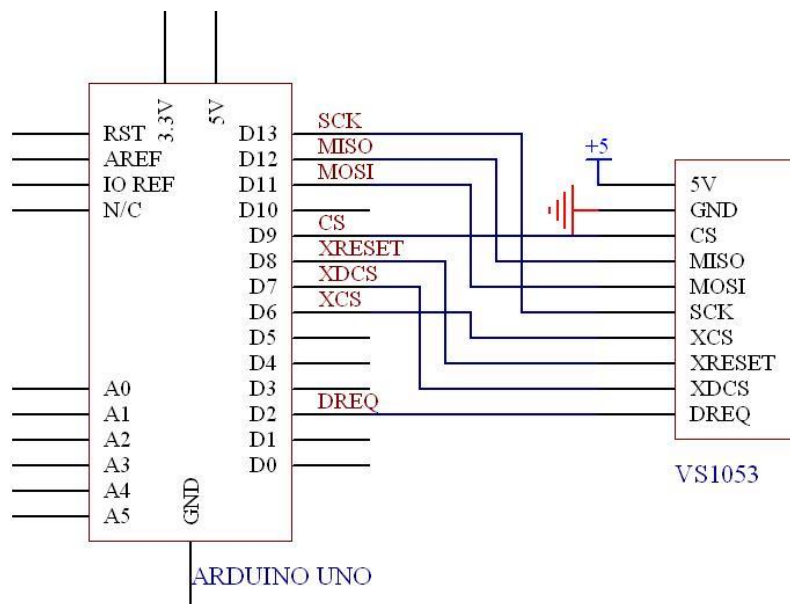
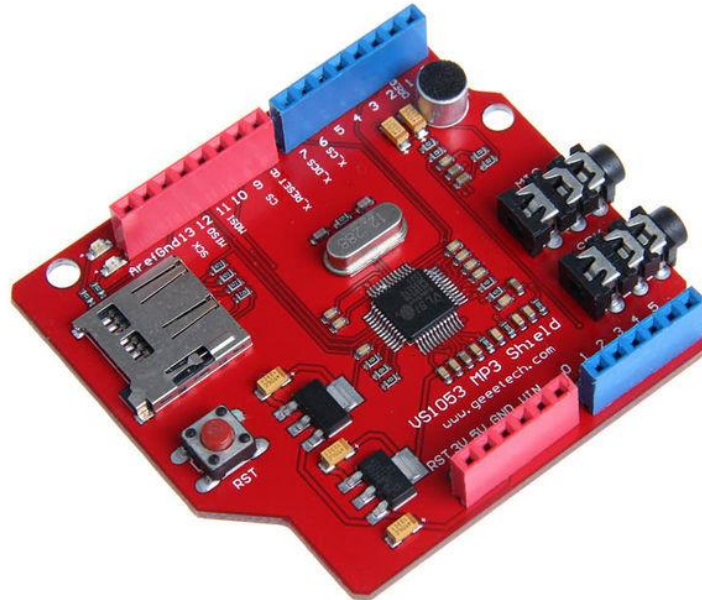


Here is guide illustrate you how to connect VS1053 breakout to Arduino Uno and play mp3 stored in your TF card.



After connecting your Arduino to the VS1053 breakout board, insert the TF card which stores your mp3 files with the filename like "track001.mp3", "track002.mp3" and etc into the TF card slot.

Download the [File:MP3-TF.zip](#) and put them in the folder /Arduino1.0/libraries/, then open the Arduino IDE 1.0 and upload the examples MP3Shield-Library-Demo.



Open the serial monitor with the baudrate 115200, input the number 'x' will play the corresponding mp3 file "track00x.mp3" in your TF card.