

Stonez56: Family, Life, Kids, Work, Arduino

Family, Life, Kids, Work, Arduino....

Sunday, March 01, 2015

Arduino - DFPlayer Mini MP3 Module

Arduino - Test DFPlayer Mini MP3 Module

I found DFPlayer mini MP3 module on China auction site Taobao when I was looking for a MP3 player module for an Arduino projects. This module is quite small and it only require few pins connections to Arduino and a speaker to work. Looks really nice for my little project.

Actually, the module is quite capable and complicated, if you were interested, please visit this [page](#).

This tutorial here is just to show you how to connect DFPlayer module with Arduino and speaker and the Arduino sketch provided here just to play few sample sounds I collected from Internet.

First, I recycled a 2W, 40mH small speaker from this little music box.



Material Needed:

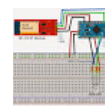
1. DFPlayer Mini module
2. Speaker - DFPlayer module support to to 3W
3. SD card - 2GB ~ 32GB formatted with FAT or FAT32
4. MP3 / WAV - audio files
5. Arduino mini Pro
6. Few jump wires

Popular Posts



[Arduino - DFPlayer Mini MP3 Module](#)

Arduino - Test DFPlayer Mini MP3 Module I found DFPlayer mini MP3 module on China auction site Taobao when I was looking for a MP3 play...



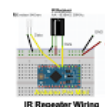
[Android control color RGB LED using HC-05 Bluetooth with Arduino \(Part I\)](#)

Android control color RGB LED using HC-05 Bluetooth with Arduino (Part I) This time, I am going to show you how to ...



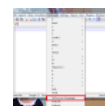
[Android control color RGB LED using HC-05 Bluetooth module with Arduino \(Part II\)](#)

Android control RGB LED using HC-05 Bluetooth module with Arduino (Part II) You probably have seen my first part of Arduino hardware setup...



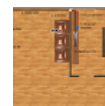
[Arduino - IR Repeater Tutorial \(Part 2\)](#)

If you want to see the complete tutorial, please visit IR Repeater Tutorial Part 1 first. Test out everything on the proton board: ...



[A better Arduino IDE - Notepad++](#)

Arduino IDE 1.6x has improved a lot over past few versions, such as adding line number, bug fixes, and many other features. However, Arduino...



[Arduino - IR Repeater Tutorial \(Part 1\)](#)

Goal: To share a Set Top Box in living room with Bedroom TV using the same Remote Control.

Preface: Recently, I subscribed a VOD...



[Test Arduino and W2812B LED Strip](#)

I have seen many people showing LED Strip on YouTube with bright colours and the colours fast changes in many different ways. Those LED Str...

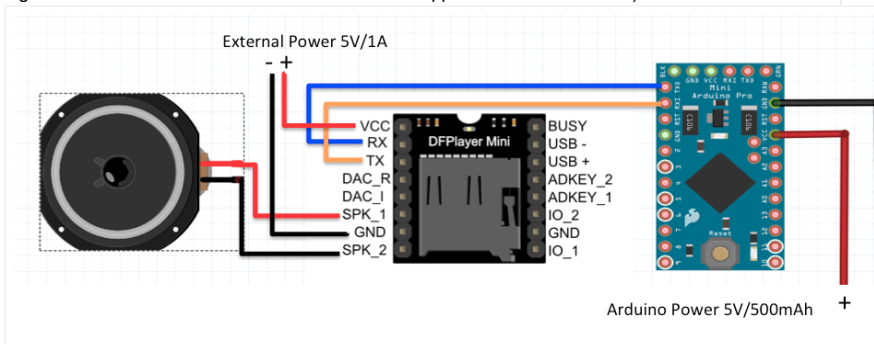


[Change font type and size for Arduino IDE](#)

When I started Arduino IDE the first time, I couldn't believe the default font size is so blurry and small. I finally found a way to cha...

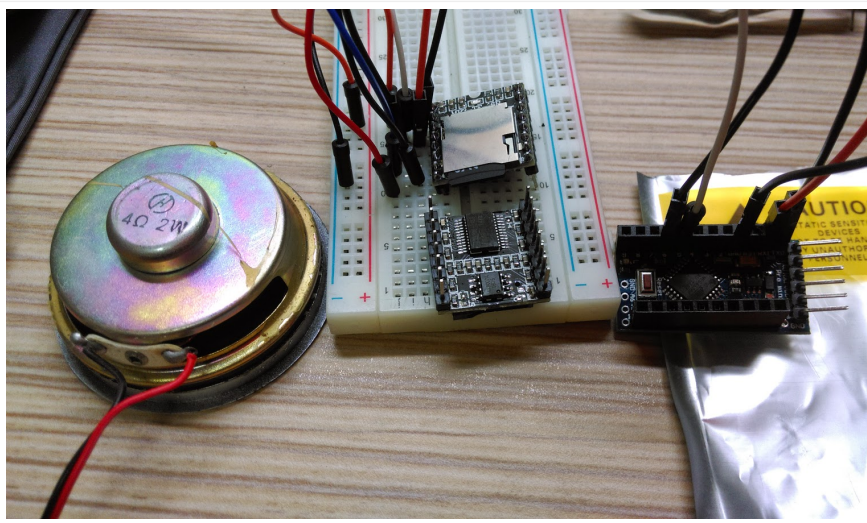
[Weekend Project - Arduino Temperature Meter](#)

As you can see the illustration below I made in Power Point, hardware connection is quite simple (Forget about the cross lines...these lines are NOT supposed to be crossed.. :)



*** Note:** You have to separate DFPlayer Mini Module power from Arduino power or you will hear very loud noises (It took me two days to figure out this!)

Here is a photo of my Arduino with DFPlayer Mini connection:



***Important note for audio files. Careful read notes below will save you a lot of precious time!**

- DFPlayer Mini read both MP3 and WAV files.
- All audio files must be placed under /mp3 folder.
- Audio file must be named 0001.mp3, 0002.mp3.....0255.mp3 (4 letters not 2 or 3 letters)
- Audio file names can have any characters after 4 digits, such as 0001_Bruno_Mars_Count_On Me.mp3
- Tested few under 1 second WAV files and they did not work
- If one of the audio file is removed from SD card, DFPlayer still can find it and play it! Weird! In the end, I formatted the SD card to make DFPlayer to play the music I specified.
- Delay(seconds); You have to specify number of seconds delay for the audio file to play completely or the next audio file might be started before current audio is over!
- mp3_play (74); means play audio file 0074.mp3

The code below is from the vendor's website and it worked without much modification.

Code here:

```

/*
 * Copyright: DFRobot
 * name: DFPlayer_Mini_Mp3 sample code
 * Author: lisper
 * Date: 2014-05-30
 * Description: sample code for DFPlayer Mini, this code is test on Uno
 * note: mp3 file must put into mp3 folder in your tf card
 */

#include <softwareserial.h>
#include <dfplayer_mini_mp3.h>

void setup () {

```



Found an interesting temperature probe on the auction site and I decided to acquire two pieces to test them out. With the LCD module, it se...



[Weekend Project - Arduino Temperature Meter V2](#)
In the last tutorial, I have shown how to make a Temperature Meter which records highest, current, and lowest temperature with Arduino Mini...

Go Mobile with Newark.com Fully Optimized for Innovation.

Shop Now

Newark
element14

Labels

[Arduino](#) (16) [RFduino](#) (1)

About Me



Stonez

[View my complete profile](#)

Blog Archive

- ▼ 2015 (9)
 - November (2)
 - September (1)
 - June (1)
 - April (2)
 - ▼ March (2)
 - [Weekend Project - Arduino Temperature Meter](#)
 - [Arduino - DFPlayer Mini MP3 Module](#)
 - February (1)
- 2014 (18)
- 2013 (2)
- 2007 (2)

```
Serial.begin (9600);
mp3_set_serial (Serial); //set Serial for DFPlayer-mini mp3 module
mp3_set_volume (10);
}

void loop () {

mp3_play (1); //play 0001.mp3
delay (10000); //10 sec, time delay to allow 0001.mp3 to finish playing

mp3_play (2);
delay (5000);

mp3_play (5);
delay (5000);

mp3_play (20); //play 0020.mp3
delay (9000);

mp3_play (81);
delay (6000);

mp3_play (74); //play 0074 mp3
delay (6000);

}
```

Here is the video:

Done.

Arduino - 測試 DFPlayer Mini MP3 播放模組

最近在大陸拍賣網上找到一個 Arduino MP3 播放模組(DFPlayer Mini)，它支援最大32GB SD卡，又可以由 Arduino 下個 Play 的指令就能由SD 卡上播放 MP3 & WAV檔案。加上體積很小一片又只要連接幾支腳位到 Arduino 就能運作了，二話不說就淘了兩片來試試它的功能。

DFPlayer Mini 它的功能真的很多，有興趣的朋友可以到這裡閱讀 [DFPlayer Mini](#) 的介紹！

這個測試主要是測試 DFPlayer Mini MP3 播放模組的功能，所以只需要下列的東西即可：

1. Arduino mini Pro
2. DFPlayer Mini 模組
3. Speaker - 最高支援到 3W
4. SD card - 2GB ~ 32GB 以 FAT or FAT32 格式化
5. 洞洞板 / 跳線
6. MP3 / WAV 格式的音效 or 音樂檔案